





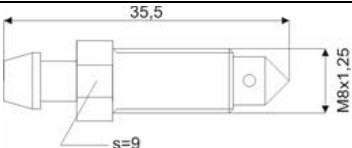

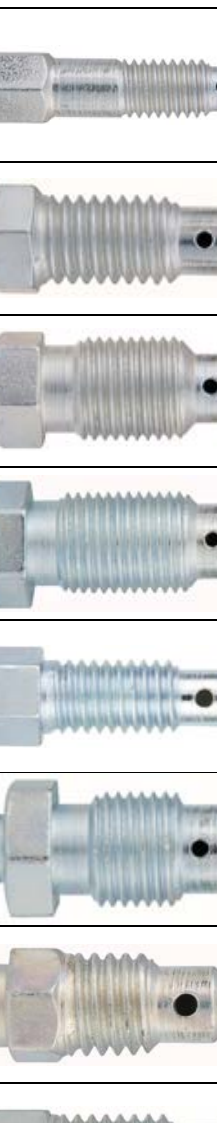





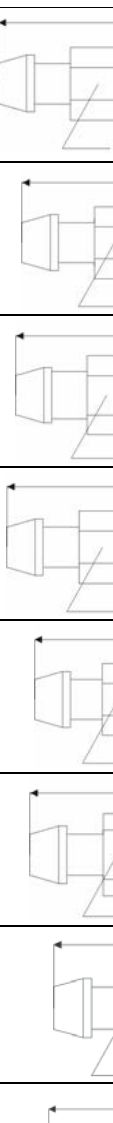
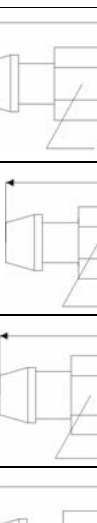


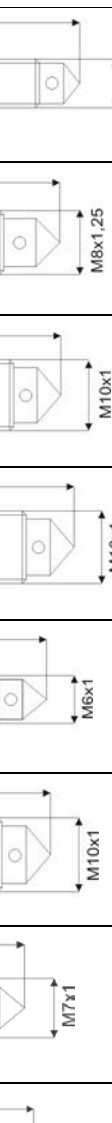
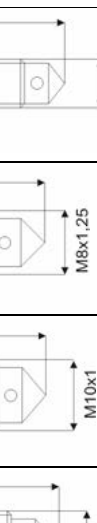
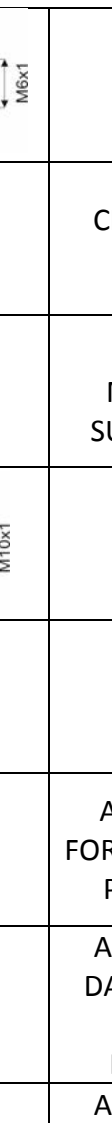
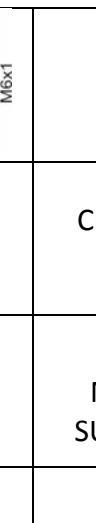
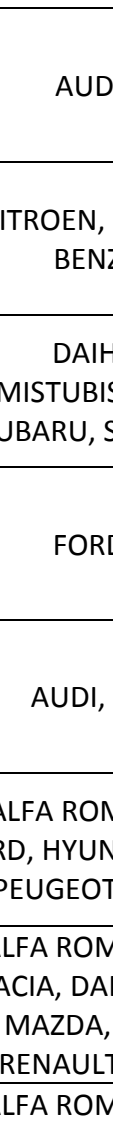
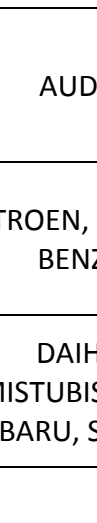
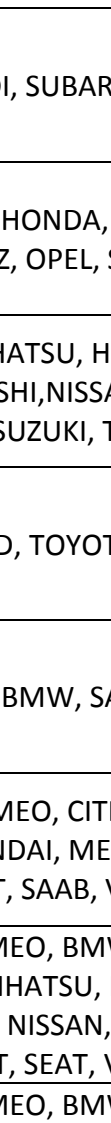
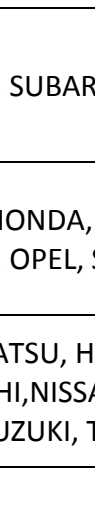
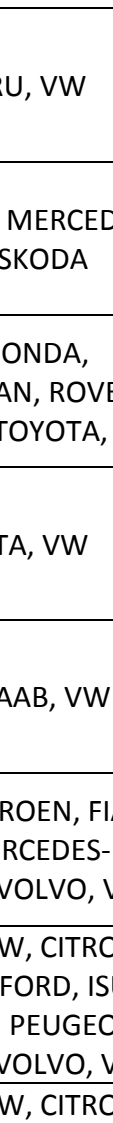
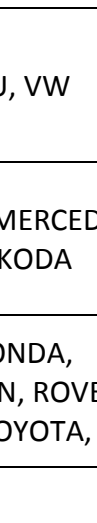
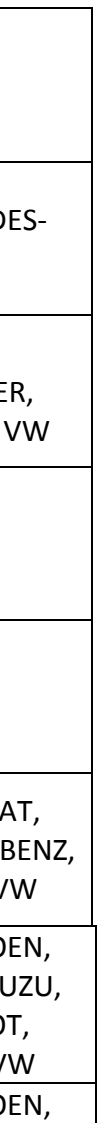

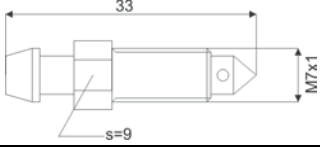

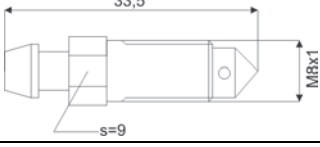

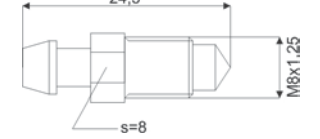
	<p style="text-align: center;"><b>Remleiding op rol</b></p> <table> <tbody> <tr><td><b>RL4755</b></td><td>4.75mm x 5 meter</td></tr> <tr><td><b>RL47520</b></td><td>4.75mm x 20 meter</td></tr> <tr><td><b>RL47550</b></td><td>4.75mm x 50 meter</td></tr> <tr><td><b>RL5005</b></td><td>5mm x 5 meter</td></tr> <tr><td><b>RL50020</b></td><td>5mm x 20 meter</td></tr> <tr><td><b>RL50050</b></td><td>5mm x 50 meter</td></tr> <tr><td><b>RL6005</b></td><td>6mm x 5 meter</td></tr> <tr><td><b>RL60020</b></td><td>6mm x 20 meter</td></tr> <tr><td><b>RL60050</b></td><td>6mm x 50 meter</td></tr> <tr><td><b>RL80020</b></td><td>8mm x 20 meter</td></tr> <tr><td><b>RL80025</b></td><td>8mm x 25 meter</td></tr> <tr><td><b>RL10005</b></td><td>10mm x 5 meter</td></tr> <tr><td><b>RL100025</b></td><td>10mm x 25 meter</td></tr> </tbody> </table>	<b>RL4755</b>	4.75mm x 5 meter	<b>RL47520</b>	4.75mm x 20 meter	<b>RL47550</b>	4.75mm x 50 meter	<b>RL5005</b>	5mm x 5 meter	<b>RL50020</b>	5mm x 20 meter	<b>RL50050</b>	5mm x 50 meter	<b>RL6005</b>	6mm x 5 meter	<b>RL60020</b>	6mm x 20 meter	<b>RL60050</b>	6mm x 50 meter	<b>RL80020</b>	8mm x 20 meter	<b>RL80025</b>	8mm x 25 meter	<b>RL10005</b>	10mm x 5 meter	<b>RL100025</b>	10mm x 25 meter
<b>RL4755</b>	4.75mm x 5 meter																										
<b>RL47520</b>	4.75mm x 20 meter																										
<b>RL47550</b>	4.75mm x 50 meter																										
<b>RL5005</b>	5mm x 5 meter																										
<b>RL50020</b>	5mm x 20 meter																										
<b>RL50050</b>	5mm x 50 meter																										
<b>RL6005</b>	6mm x 5 meter																										
<b>RL60020</b>	6mm x 20 meter																										
<b>RL60050</b>	6mm x 50 meter																										
<b>RL80020</b>	8mm x 20 meter																										
<b>RL80025</b>	8mm x 25 meter																										
<b>RL10005</b>	10mm x 5 meter																										
<b>RL100025</b>	10mm x 25 meter																										
	<p style="text-align: center;"><b>Cunifer remleiding op rol</b></p> <table> <tbody> <tr><td><b>CF4755</b></td><td>4.75mm x 5 meter</td></tr> </tbody> </table> <p>Cunifer is een legering van koper (<b>Cupro</b>), nikkel (<b>Nickel</b>) en ijzer (<b>Ferro</b>) die corrosie- en zeewaterbestendig is.</p>	<b>CF4755</b>	4.75mm x 5 meter																								
<b>CF4755</b>	4.75mm x 5 meter																										
	<p style="text-align: center;"><b>Verbindingsnippels</b></p> <table> <tbody> <tr><td><b>NP10004</b></td><td>4.75mm x 4.75mm</td><td>normaal</td></tr> <tr><td><b>NP10004S</b></td><td>4.75mm x 4.75mm</td><td>klein</td></tr> <tr><td><b>NP10005</b></td><td>5.00mm x 5.00mm</td><td>normaal</td></tr> <tr><td><b>NP10005S</b></td><td>5.00mm x 5.00mm</td><td>klein</td></tr> <tr><td><b>NP10006</b></td><td>6.00mm x 6.00mm</td><td></td></tr> <tr><td><b>NP10008</b></td><td>8.00mm x 8.00mm</td><td></td></tr> <tr><td><b>NP10010</b></td><td>10.00mm x 10.00mm</td><td></td></tr> </tbody> </table> <p>Verpakt in zakje à 10 stuks</p>	<b>NP10004</b>	4.75mm x 4.75mm	normaal	<b>NP10004S</b>	4.75mm x 4.75mm	klein	<b>NP10005</b>	5.00mm x 5.00mm	normaal	<b>NP10005S</b>	5.00mm x 5.00mm	klein	<b>NP10006</b>	6.00mm x 6.00mm		<b>NP10008</b>	8.00mm x 8.00mm		<b>NP10010</b>	10.00mm x 10.00mm						
<b>NP10004</b>	4.75mm x 4.75mm	normaal																									
<b>NP10004S</b>	4.75mm x 4.75mm	klein																									
<b>NP10005</b>	5.00mm x 5.00mm	normaal																									
<b>NP10005S</b>	5.00mm x 5.00mm	klein																									
<b>NP10006</b>	6.00mm x 6.00mm																										
<b>NP10008</b>	8.00mm x 8.00mm																										
<b>NP10010</b>	10.00mm x 10.00mm																										

	<p style="text-align: center;"><b>Doorverbinder</b></p> <p><b>NP121</b> M10x1 inwendig / M10x1 inwendig 13mm uitwendig / 30,0mm</p> <p><b>NP131</b> M12x1 inwendig / M10x1 inwendig 17mm uitwendig / 30,0mm</p>																
	<p style="text-align: center;"><b>Assortiment Remnippels</b></p> <p><b>510002</b> 145-delig assortiment</p> <table border="0"> <tbody> <tr> <td><b>NP103</b></td> <td>15x</td> <td><b>NP107</b></td> <td>10x</td> </tr> <tr> <td><b>NP104</b></td> <td>15x</td> <td><b>NP109</b></td> <td>15x</td> </tr> <tr> <td><b>NP105</b></td> <td>50x</td> <td><b>NP112</b></td> <td>15x</td> </tr> <tr> <td><b>NP106</b></td> <td>15x</td> <td><b>NP116</b></td> <td>10x</td> </tr> </tbody> </table>	<b>NP103</b>	15x	<b>NP107</b>	10x	<b>NP104</b>	15x	<b>NP109</b>	15x	<b>NP105</b>	50x	<b>NP112</b>	15x	<b>NP106</b>	15x	<b>NP116</b>	10x
<b>NP103</b>	15x	<b>NP107</b>	10x														
<b>NP104</b>	15x	<b>NP109</b>	15x														
<b>NP105</b>	50x	<b>NP112</b>	15x														
<b>NP106</b>	15x	<b>NP116</b>	10x														
	<p style="text-align: center;"><b>Remnippels</b></p> <p><b>NP103</b> M12x1 uitwendig / 18,0mm / Ø 6,5mm</p> <p><b>NP104</b> M12x1 uitwendig / 20,0mm / Ø 5,0mm</p> <p><b>NP105</b> M10x1 uitwendig / 16,7mm / Ø 5,0mm</p> <p><b>NP106</b> M10x1 inwendig / 13,0mm / Ø 5,0mm</p> <p><b>NP107</b> M12x1 inwendig / 21,5mm / Ø 5,0mm</p> <p><b>NP108</b> M10x1 inwendig / 15,0mm / Ø 5,0mm</p> <p><b>NP109</b> 3/8"x24 uitwendig / 21,0mm / Ø 5,00mm</p> <p><b>NP110X</b> M10x1 inwendig / 23,0mm / Ø 5,0mm</p> <p><b>NP112</b> M10x1,25 uitwendig / 18,0mm / Ø 5,0mm</p> <p><b>NP113</b> M10x1,25 uitwendig / 14,2mm / Ø 5,0mm</p> <p><b>NP116</b> M10x1 uitwendig / 18,0mm / Ø 5,0mm</p> <p><b>NP117</b> 3/8"x24 uitwendig / 14,4mm / Ø 5,0mm</p>																


	<p style="text-align: center;"><b>Remleiding op maat</b></p> <p><b>WP001</b> 30cm M10x1 / M10x1 uitwendig  <b>WP002</b> 85cm M10x1 / M10x1 uitwendig  <b>WP008</b> 300cm M10x1 / M10x1 uitwendig  <b>WP026</b> 440cm M10x1 / M10x1 uitwendig  <b>WP208</b> 310cm M12x1 / M12x1 uitwendig</p> <p>Dit zijn slechts enkele voorbeelden uit ons assortiment. Meerdere maten op voorraad.</p>																
	<p style="text-align: center;"><b>Remleidingclips</b></p> <p><b>MPH60558</b> Enkel / 4,8mm-6mm / 6,5mm ( onder, rechts )  <b>MPH60559</b> Enkel / 4,8mm-6mm / 6,5mm ( onder, midden )  <b>MPH60560</b> Dubbel / 4,8mm / 6,5mm ( onder, links )  <b>MPH60561</b> Dubbel / 4,8mm-8mm / 6,5mm ( boven, midden )  <b>MPH60562</b> Triple / 4,8mm-8mm / 6,5mm ( boven, links )  <b>MPH60563</b> Triple / 4,8mm / 6,0mm ( boven, rechts )</p> <p>Aantal / Dikte leiding / Bevestigingsgat</p>																
	<p style="text-align: center;"><b>Assortiment Remontluchting nippels</b></p> <p><b>000ZO2</b> 195-delig assortiment</p> <table border="0"> <tr> <td>0011 10x</td> <td>0053x 10x</td> </tr> <tr> <td>0013 10x</td> <td>0069 15x</td> </tr> <tr> <td>0015 15x</td> <td>0086 20x</td> </tr> <tr> <td>0017 15x</td> <td>0087 15x</td> </tr> <tr> <td>0019 15x</td> <td>0088 10x</td> </tr> <tr> <td>0033 10x</td> <td>0090 10x</td> </tr> <tr> <td>0039 15x</td> <td>0100 15x</td> </tr> <tr> <td>0053 10x</td> <td></td> </tr> </table>	0011 10x	0053x 10x	0013 10x	0069 15x	0015 15x	0086 20x	0017 15x	0087 15x	0019 15x	0088 10x	0033 10x	0090 10x	0039 15x	0100 15x	0053 10x	
0011 10x	0053x 10x																
0013 10x	0069 15x																
0015 15x	0086 20x																
0017 15x	0087 15x																
0019 15x	0088 10x																
0033 10x	0090 10x																
0039 15x	0100 15x																
0053 10x																	

0011			<p>MERCEDES-BENZ, OPEL, SAAB, SKODA, VOLVO</p>
------	---	---	--

0013			AUDI, SUBARU, VW
0015			CITROEN, HONDA, MERCEDES-BENZ, OPEL, SKODA
0017			DAIHATSU, HONDA, MITSUBISHI, NISSAN, ROVER, SUBARU, SUZUKI, TOYOTA, VW
0019			FORD, TOYOTA, VW
0033			AUDI, BMW, SAAB, VW
0039			ALFA ROMEO, CITROEN, FIAT, FORD, HYUNDAI, MERCEDES-BENZ, PEUGEOT, SAAB, VOLVO, VW
0053			ALFA ROMEO, BMW, CITROEN, DACIA, DAHATSU, FORD, ISUZU, MAZDA, NISSAN, PEUGEOT, RENAULT, SEAT, VOLVO, VW
0053X			ALFA ROMEO, BMW, CITROEN, DACIA, DAHATSU, FORD, ISUZU, MAZDA, NISSAN, PEUGEOT, RENAULT, SEAT, VOLVO, VW
0069			ALFA ROMEO, FORD, MAZDA, PEUGEOT, RENAULT, TOYOTA, VOLVO
0086			ALFA ROMEO, AUDI, BMW, CITROEN, DAHATSU, FIAT, FORD, MAZDA, MITSUBISHI, PEUGEOT, RENAULT, SAAB, SUBARU, TOYOTA, VOLVO, VW
0087			ALFA ROMEO, AUDI, BMW, CITROEN, DAHATSU, OPEL, PEUGEOT, SUBARU, VAUXHALL,

			VOLVO, VW
0088			MERCEDES-BENZ, MITSUBISHI, OPEL, SAAB, TOYOTA
0090			MAZDA, OPEL
0100			ALFA ROMEO, AUTOBIANCHI, CITROEN, FIAT, HONDA, LADA, LANCIA, PEUGEOT, ROVER, SEAT, ZASTAWA

	<p><b>Felsapparaat</b></p> <p><b>WJ0100</b> Voor 4,75mm en 6,35mm</p>
---	---

	<p><b>Felsapparaat</b></p> <p><b>FTD250</b> Geschikt voor dubbele en enkele, ronde felskragen. Voor 4,75mm, 6,35mm, 5/16", 3/8", 7/16", 1/2", 5/8". Inclusief ruimer gereedschap en snijder.</p>
---	--

	<p style="text-align: center;"><b>Felsapparaat</b></p> <p><b>FTC03CIT</b> Voor 3,50mm, 4,75mm en 6,35mm. Speciaal voor Citroën</p>
	<p style="text-align: center;"><b>Felsapparaat</b></p> <p><b>FTD414</b> Voor 4,75mm, 6,00mm en 6,35mm. Voor koper, cunifer en staal.</p>
	<p style="text-align: center;"><b>Snijder</b></p> <p><b>TCM130D</b> Snijgereedschap voor koper 3mm-16mm</p>



**DT601**

**Ruimer**

Ruimer inwendig

*Beuker Tools*  
*Westerboekelweg 13a*  
*1718 MJ Hoogwoud*

*Tel.: 0226 - 35.33.47*  
*b.g.g.: 06 - 22.48.37.62*  
*Fax: 0226 - 35.45.67*  
*E-mail: [info@beukertools.nl](mailto:info@beukertools.nl)*  
*Internet: [www.beukertools.nl](http://www.beukertools.nl)*