
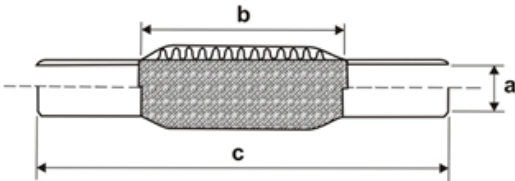


| | Flexibele uitlaatstukken | | | |
|---|---------------------------|---------------------|-----------------------|-------|
| | Diameter inwendig A | Lengte Flex B | Lengte Totaal C | |
|  | 455100 | 54,5mm | 100mm | 400mm |
| | 455200 | 54,5mm | 200mm | 400mm |
|  | STH1 | 51mm | 100mm | 100mm |
| | STH17 | 45mm | 100mm | 100mm |
| | STH2045 | 45mm | 152mm | 282mm |
| | STH2054 | 54mm | 152mm | 282mm |
| | STH3154 | 54mm | 203mm | 333mm |
| | STH6138 | 38mm | 203mm | 333mm |
| | STH6148 | 48mm | 203mm | 333mm |

Westerboekelweg 13a
1718 MJ Hoogwoud

Tel.: 0226 - 35.33.47

b.g.g.: 06 - 22.48.37.62

Fax: 0226 - 35.45.67

E-mail: info@beukertools.nl

Internet: www.beukertools.nl